

Sierra Grapples

1620 E. Brundage Lane, Bakersfield, CA 93307
 (661)327-7073—USA (800)343-8503— Fax (661)322-8759



EUROMECH



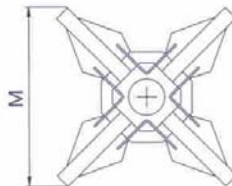
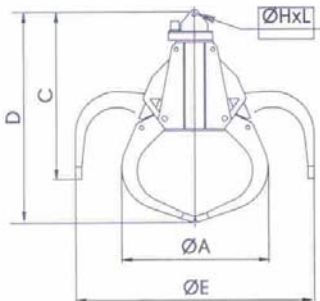
Model

I.180/1



POLIPIDRAULICI
 HYDRAULIC
 GRABS
 GRAPPINS
 HYDRAULIQUES
 PULPOS
 HIDRÁULICOS

Stock !!



Dimensions:

ØA: 66"

C: 77"

D: 94.5"

ØE: 102"

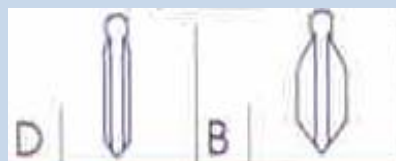
M: 72"

ØHL: 70x150 mm

Number of fingers: 4
Capacity: 1.3 cubic yards
Weight with rotator:
 Type "D": 4300 lbs
 Type "B": 4500 lbs
 Type "C": N/A
Rated load: 12 tons
Rotator type: RH715

**For cranes
 27 to 45 tons**

Finger types



www.sierraintl.com