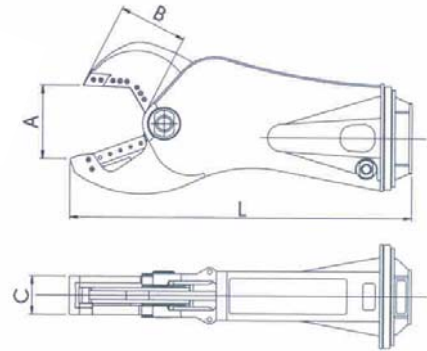


Mobile Shears



Model	Weight	Force	A	B	C	L	Crane Weight Tons	
							Main	2nd
KN 3800	28600 Lbs	1150 Ton	45.5"	44.5"	23"	206"	76 - 130	
KN 2800	17600 Lbs	800 Ton	35.5"	35"	20"	169"	46 - 70	
KN 2400	13200 Lbs	700 Ton	31"	30"	17"	152"	37 - 46	50 - 60
KN 2000	9900 Lbs	580 Ton	27"	26"	16.5"	135"	28 - 34	37 - 46
KN 1600	6600 Lbs	450 Ton	22"	21"	14"	118"	18 - 24	28 - 34
KN 1000	4400 Lbs	300 Ton	18.5"	18"	12"	96"	12 - 15	18 - 24
KN 300	1540 Lbs	85 Ton	10"	10"	8"	44"	5	7
KN 170	880 Lbs	50 Ton	7.8"	7.8"	7"	44"	3	5

**SIERRA
INTERNATIONAL
MACHINERY, LLC.**
1620 E. Brundage Ln
Bakersfield
California 93307
(661)327-7073
(661)322-8759 Fax
(800)343-8503 USA
www.sierraintl.com

